

## RedJay™ Ultra high temperature elbows and reducers



### Description:

A brick red cover, with multiple plies of meta-aramid reinforcement for strength. Available as 90-degree elbow, 45-degree elbow and reducers.

### Construction

Liner (1,6mm / 0,063" min), multiple plies of meta-aramid reinforcement, brick red jacket and gloss finish.

### Specifications

Meets the operating requirements of SEE J20 R1 H.T. Class A

Temperature range -40 °F tot 500 °F [-40 °C to 260 °C]

Standard Wall Thickness is 0,169in - 0,220in [4,3 - 5,6m]

Working pressure should be calculated at 1/3 of the bursting pressure

### Applications

In vehicle cooling

Industrial plumbing

EGR

Hot side CAC (Charged Air Connectors)

Anywhere very high temperature is seen and long life is needed.

Resistant to coolant and additives.

Resists ozone, hardening, cracking, cold leaks, aging, and many more chemicals.

Warranty: 5 years or 1000 miles [1600km]

## 90-degrees elbow Ultra high temperature Formed Hose.

### Technical hose Specifications

Temperature resistant silicone liner

Reinforced with multiple plies of knit meta-aramid

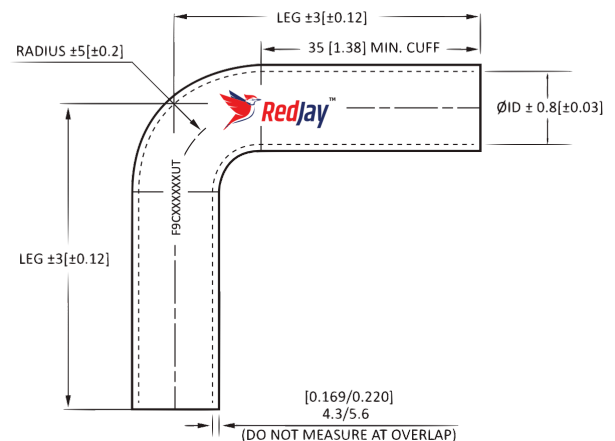
UV en ozone resistant

Rated for -40 °F tot 500 °F [-40 °C tot 260 °C]

Conforms to SAE J20 R1 H.T. Class A

Durometer: 65-75 Shore A

Radial dilation less then 15%

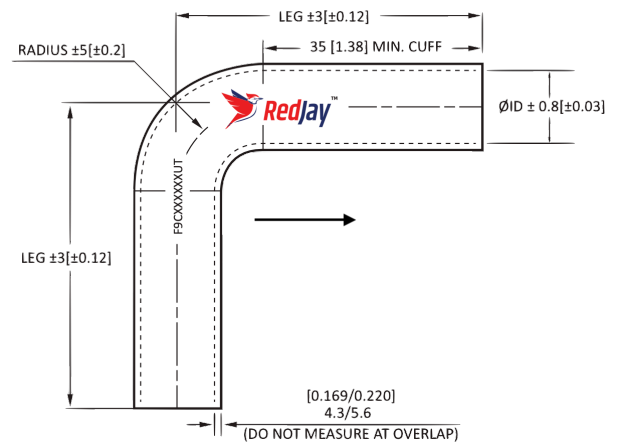


90 DEGREE ELBOW ULTRA HIGH TEMPERATURE FORMED HOSE

DG Art.nr.	ID1		ID2		LEG		Radius		Min Burst	
	IN	mm	IN	mm	IN	mm	IN	mm	PSI	BAR
4410114	0,50	12,70	0,50	12,70	5,0	127,0	0,75	19,1	425	29
4410115	0,75	19,05	0,75	19,05	5,0	127,0	1,13	28,7	325	22
4410116	1,00	25,4	1,00	25,4	5,0	127,0	1,50	38,1	299	21
4410101	0,50	12,70	0,50	12,70	7,0	177,8	0,75	19,1	425	29
4410102	0,75	19,05	0,75	19,05	7,0	177,8	1,13	28,7	325	22
4410103	1,00	25,40	1,00	25,40	7,0	177,8	1,50	38,1	299	21
4410104	1,25	31,75	1,25	31,75	7,0	177,8	1,88	47,8	276	19
4410105	1,50	38,10	1,50	38,10	7,0	177,8	2,25	57,2	249	17
4410106	1,75	44,45	1,75	44,45	7,0	177,8	2,64	66,8	225	16
4410107	2,00	50,80	2,00	50,80	7,0	177,8	2,50	63,50	200	14
4410108	2,25	57,15	2,25	57,15	7,0	177,8	2,80	71,1	175	12
4410109	2,50	63,50	2,50	63,50	11,0	279,4	3,13	79,5	149	10
4410110	2,75	69,85	2,75	69,85	11,0	279,4	3,44	87,4	125	9
4410111	3,00	76,20	3,00	76,20	11,0	279,4	3,75	95,3	87	6
4410112	3,50	88,90	3,50	88,90	11,0	279,4	3,38	111,3	75	5
4410113	4,00	101,60	4,00	101,60	11,0	279,4	5,00	127,0	49	3

### 90-degrees elbow Ultra high temperature reducer.

Technical hose Specifications  
 Temperature resistant silicone liner  
 Reinforced with multiple plies of knit meta-aramid  
 UV en ozone resistant  
 Rated for -40 °F tot 500 °F [-40 °C tot 260 °C]  
 Conforms to SAE J20 R1 H.T. Class A  
 Durometer: 65-75 Shore A  
 Radial dilation less then 15%

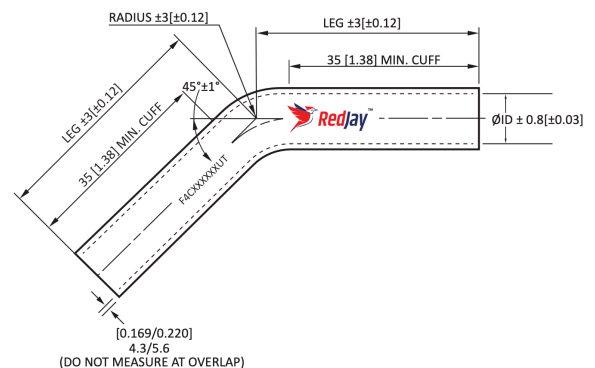


90 DEGREE ELBOW ULTRA HIGH TEMPERATURE FORMED HOSE INCREASER / REDUCER

DG Art.nr.	ID1		ID2		LEG		Radius		Min Burst	
	IN	mm	IN	mm	IN	mm	IN	mm	PSI	BAR
4411101	1,00	25,40	1,25	31,75	7,0	177,8	0,75	19,05	276	19
4411102	1,00	25,40	1,50	38,10	7,0	177,8	1,13	28,702	249	17
4411103	1,50	38,10	1,75	44,45	7,0	177,8	1,50	38,1	225	16
4411104	1,50	38,10	2,00	50,80	7,0	177,8	1,88	47,752	200	14
4411105	2,00	50,80	2,25	57,15	7,0	177,8	2,25	57,15	175	12
4411106	2,00	50,80	2,50	63,50	7,0	177,8	2,64	66,802	149	10
4411107	2,50	63,50	2,75	69,85	11,0	279,4	2,50	63,50	125	9
4411108	2,50	63,50	3,00	76,20	11,0	279,4	2,80	89,662	87	6
4411109	3,00	76,20	3,50	88,90	11,0	279,4	3,13	69,502	75	5
4411110	3,50	88,90	4,0	101,60	11,0	279,4	3,44	87,376	49	3

### 45-degrees elbow Ultra high temperature formed hose.

Technical hose Specifications  
 Temperature resistant silicone liner  
 Reinforced with multiple plies of knit meta-aramid  
 UV en ozone resistant  
 Rated for -40 °F tot 500 °F [-40 °C tot 260 °C]  
 Conforms to SAE J20 R1 H.T. Class A  
 Durometer: 65-75 Shore A  
 Radial dilation less then 15%

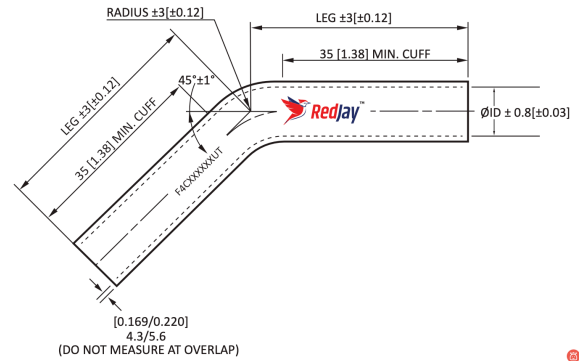


45 DEGREE ELBOW ULTRA HIGH TEMPERATURE FORMED HOSE

DG Art.nr.	ID1		ID2		LEG		Radius		Min Burst	
	IN	mm	IN	mm	IN	mm	IN	mm	PSI	BAR
4412101	0,50	12,70	0,50	12,70	5,0	127,0	0,75	19,1	425	29
4412102	0,50	12,70	0,50	12,70	7,0	177,8	0,75	19,1	425	29
4412103	0,75	19,05	0,75	19,05	5,0	127,0	1,13	28,7	325	22
4412104	0,75	19,05	0,75	19,05	7,0	177,8	1,13	28,7	325	22
4412105	1,00	25,40	1,00	25,40	5,0	127,0	1,50	38,1	299	21
4412106	1,00	25,40	1,00	25,40	7,0	177,8	1,50	38,1	299	21
4412107	1,25	31,75	1,25	31,75	7,0	177,8	1,88	47,8	276	19
4412108	1,50	38,10	1,50	38,10	7,0	177,8	2,25	57,2	249	17
4412109	1,75	44,45	1,75	44,45	7,0	177,8	2,64	66,8	225	16
4412110	2,00	50,8	2,00	50,8	7,0	177,8	2,50	63,50	200	14
4412111	2,25	57,15	2,25	57,15	7,0	177,8	2,80	71,1	175	12
4412112	2,50	63,50	2,50	63,50	11,0	279,4	3,13	79,5	149	10
4412113	2,75	69,85	2,75	69,85	11,0	279,4	3,44	87,4	125	9
4412114	3,00	76,20	3,00	76,20	11,0	279,4	3,75	95,3	87	6
4412115	3,50	88,90	3,50	88,90	11,0	279,4	4,38	111,3	75	5
4412116	4,00	101,60	4,00	101,60	11,0	279,4	5,0	127,0	49	3

### 45-degrees elbow Ultra high temperature reducer.

Technical hose Specifications  
 Temperature resistant silicone liner  
 Reinforced with multiple plies of knit meta-aramid  
 UV en ozone resistant  
 Rated for -40 °F tot 500 °F [-40 °C tot 260 °C]  
 Conforms to SAE J20 R1 H.T. Class A  
 Durometer: 65-75 Shore A  
 Radial dilation less then 15%

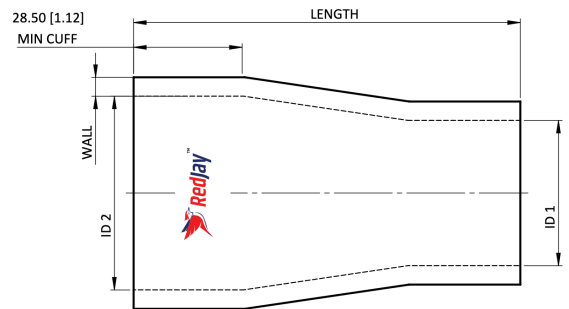


45 DEGREE ELBOW ULTRA HIGH TEMPERATURE FORMED HOSE INCREASER / REDUCER

DG Art.nr.	ID1		ID2		LEG		Radius		Min Burst	
	IN	mm	IN	mm	IN	mm	IN	mm	PSI	BAR
4413101	1,00	25,40	1,25	31,75	7,0	177,8	0,75	19,1	276	19
4413102	1,00	25,40	1,50	38,10	7,0	177,8	1,13	28,702	249	17
4413103	1,50	38,10	1,75	44,45	7,0	177,8	1,13	28,7	225	16
4413104	1,50	38,10	2,00	50,80	7,0	177,8	1,13	28,7	200	14
4413105	2,00	50,80	2,25	57,15	7,0	177,8	1,50	38,1	175	12
4413106	2,00	50,80	2,50	63,50	7,0	177,8	1,50	38,1	149	10
4413107	2,50	63,50	2,75	69,85	11	279,40	1,88	47,8	125	9
4413108	2,50	63,50	3,00	76,20	11	279,40	2,25	57,2	87	6
4413109	3,00	76,20	2,75	69,85	11	279,40	2,64	66,8	75	5
4413110	3,50	88,90	3,00	76,20	11	279,40	2,50	63,50	49	3

### Ultra Hoge Temperature Straight Reducer

Technical hose Specifications  
 Temperature resistant silicone liner  
 Reinforced with multiple plies of knit meta-aramid  
 UV en ozone resistant  
 Rated for -40 °F tot 500 °F [-40 °C tot 260 °C]  
 Conforms to SAE J20 R1 H.T. Class A  
 Durometer: 65-75 Shore A  
 Radial dilation less then 15%



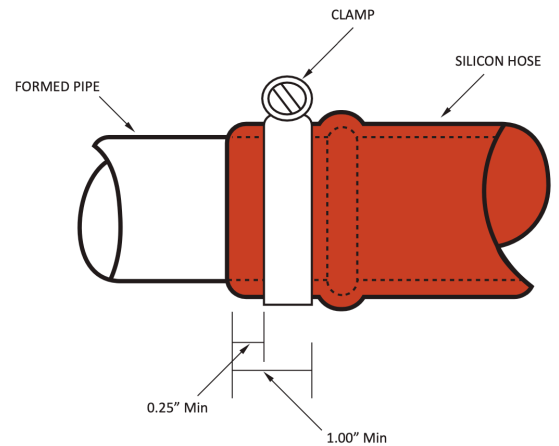
ULTRA HIGH TEMPERATURE STRAIGHT INCREASER / REDUCER

DG Art.nr.	ID1		ID2		LEG		Min Burst	
	IN	mm	IN	mm	IN	mm	PSI	BAR
4414101	1,00	25,40	1,25	31,75	4,0	101,60	276	19
4414102	1,00	25,40	1,50	38,10	4,0	101,60	249	17
4414103	1,50	38,10	1,75	44,45	4,0	101,60	225	16
4414104	1,50	38,10	2,00	50,80	4,0	101,60	200	14
4414105	2,00	50,80	2,25	57,15	4,0	101,60	175	12
4414106	2,00	50,80	2,50	63,50	4,0	101,60	149	10
4414107	2,50	63,50	2,75	69,85	4,0	101,60	125	9
4414108	2,50	63,50	3,00	76,20	4,0	101,60	87	6
4414109	3,00	76,20	3,50	88,90	4,0	101,60	75	5
4414110	3,50	88,90	4,00	101,60	4,0	101,60	49	3

**Ultra Hoge Temperature FIT and Clamping**

The below guidelines follow TMC RP 332 C

Hose should be snug on pipe and not loose.  
 If needed, lubricate with water and mild liquid soap solution. Do NOT lubricate hoses with ethylene glycol, propylene glycol or petroleum-based products.  
 Do NOT over tighten clamps.  
 Leave minimum of 0,25" [6,35mm] open from clamp to end hose and 25,4mm [1,00"] including clamp with to end of hose  
 Clamp straight around hose. DO NOT clamp on pipe bead



**ULTRA HIGH TEMPERATURE FIT AND CLAMPING**

DG Art.nr.	Omschrijving	Aanhaal moment	
		(In-lbs)	Nm
4415101	Wave Seal 360 TM Heavy-Duty Constant Tension Clamp	40	4,52
4415102	Constant torque with 9/16" (14,3mm) of 5/8" (15,9) band	70 - 90	7,91 - 10,17
4415103	Vibrant resistant spring-load T-Bolt	60 - 70	6,78 - 7,91